

XL Planter Series Datasheet



 **Landmark**
STREET FURNITURE

www.landmarkstreetfurniture.com

XL Planter Series

The XL Planter system permits unending flexibility in integrating greenery into a location. Combining FSC-certified timber slat seating with integrated Corten or steel planters in a single, space-efficient design. The circular format creates welcoming focal points that draw people in naturally, whilst the central planting introduces seasonal colour and green infrastructure directly where people sit and socialise. Rather than separating seating and planting into competing elements, each unit delivers both within a compact footprint — maximising functionality without compromising on comfort or aesthetic.



XL Planter Series

Planter Wall in powder coated sheet metal.

Material:

Structure of sheet metal with powder primer and powder coating; available in any RAL colour below, polyester-based paint, thicker than 80 microns (ISO 2630) and resistant to UV radiation or other climatic influences.

Additional option in shotblasted Corten steel sheet.

Optional timber seating that can be integrated into the planter wall.

Installation:

For the products installation, there are holes in the baseplates for anchoring, there embedment bolts into concrete foundations laid by others. Insert 10mm threaded bolts into holes drilled into the concrete slabs and fill with epoxy resin or fast motor.

Maintenance:

No maintenance required, except for cleaning and regular emptying.

Clean the metal parts using clean water only. If necessary, with a little neutral cleaning agent (pH 7) and soft non-abrasive cloths or cloths. For the most stubborn dirt, such as oily substances, gum, or stickers, clean with white spirit or isopropyl alcohol. The powder coated finish should be inspected every 6 months for damage. Any areas where the surface finish has been compromised or removed should be cleaned of debris, and re-covered using touch up paint. Colour matched touch up paint can be purchased from Landmark or a local paint supplier. (colour ref in spec)

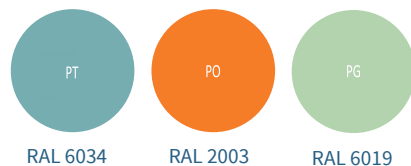
Timber - Manufactured entirely from carefully selected and graded wood. Sourced entirely from commercially managed, recognised and sustainable resources with a natural un-treated finish, to remove stains sand lightly with an appropriate grade sandpaper.

The wooden seat can be replaced if necessary.

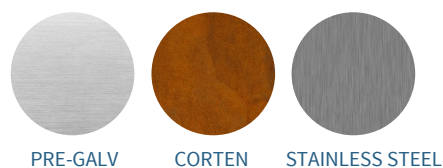
Standard Colours



Pastel Colours



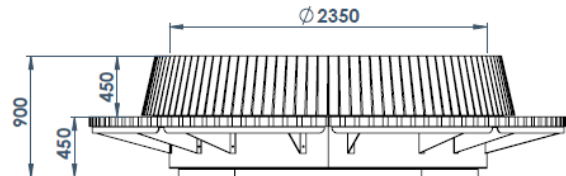
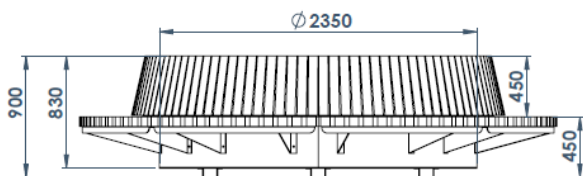
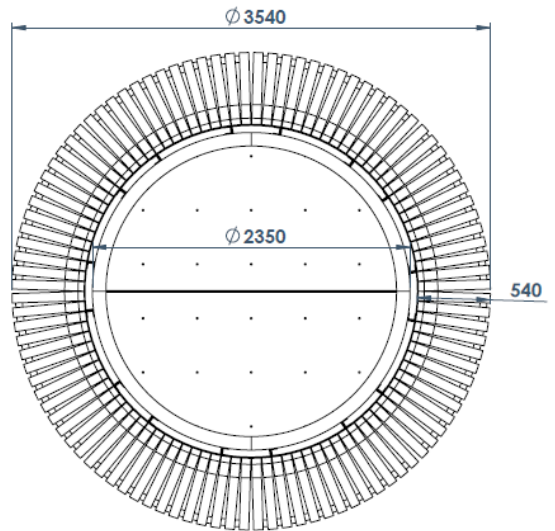
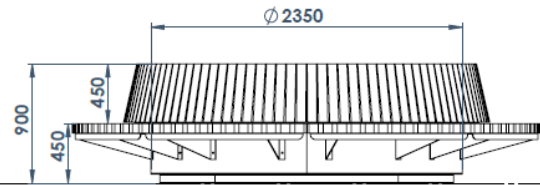
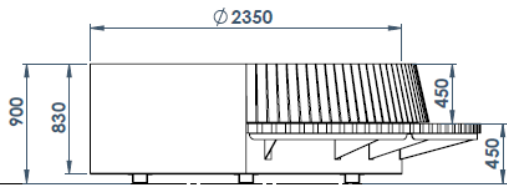
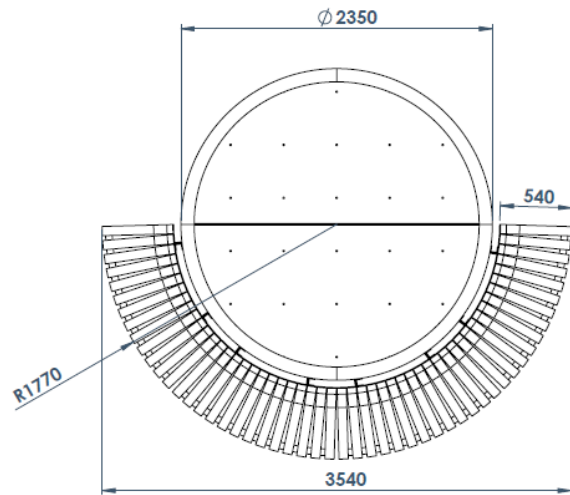
Metal



Standard Timber



XL Planter Series



XL Planter Series



 Landmark
STREET FURNITURE

www.landmarkstreetfurniture.com