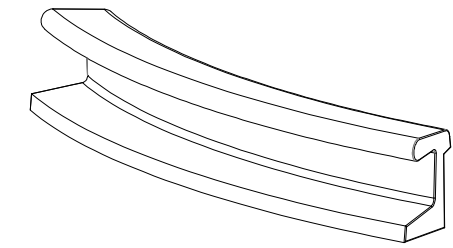


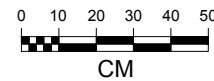
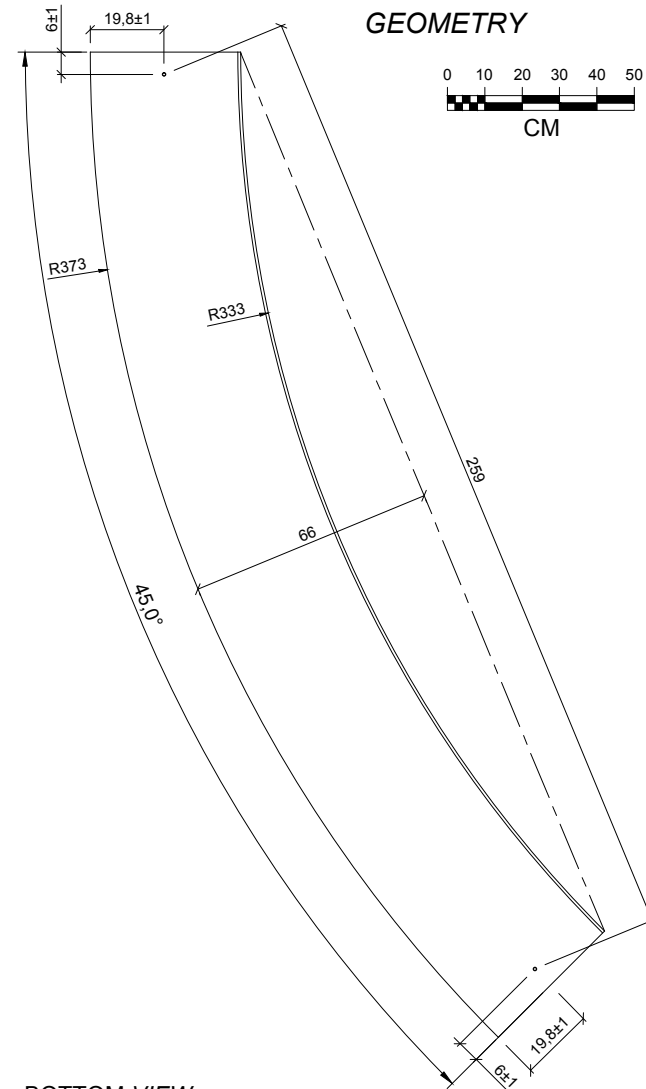
FEATURES

Material concrete petra 1
Finish scaled and waterproofed
Dimensions l. 286, w. 66, h. 49.6 cm
Colour see colour catalogue
Fixing resting on the ground or anchored with metal rod
Weight 690 kg
Package 300 x 80 x 65 cm
Weight package 705 kg

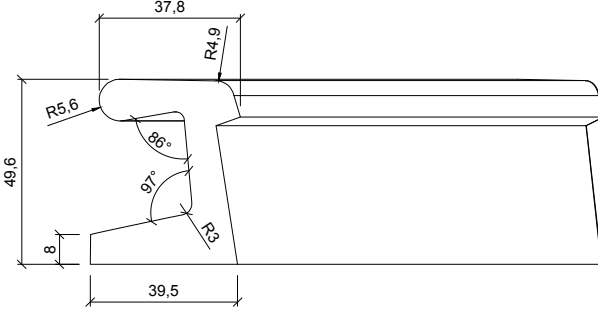


VINYES R333

GEOMETRY

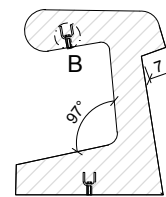


BOTTOM VIEW

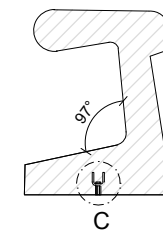


FRONT VIEW

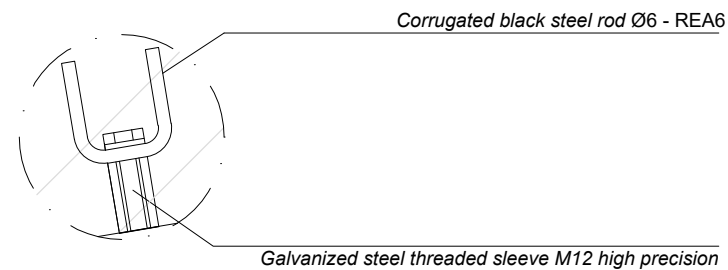
SPECIFICATIONS



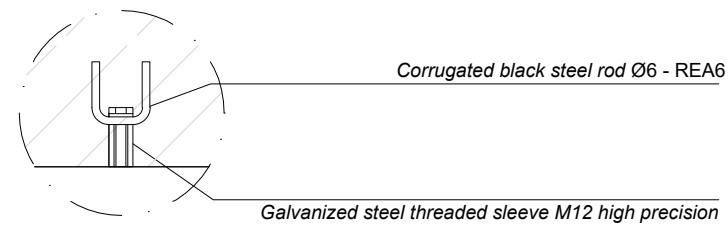
SECTION 1



SECTION 2



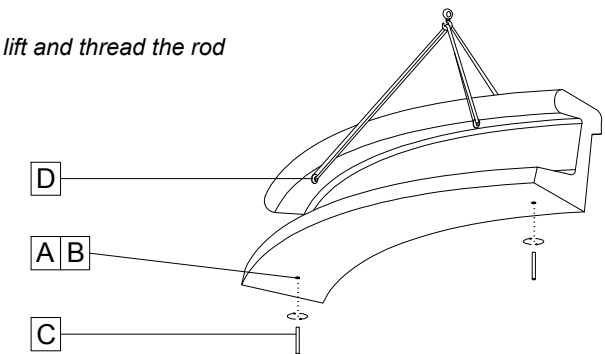
DETAIL B [HOISTING]



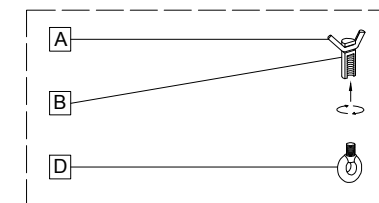
DETAIL C [ANCHORAGE]

HANDLING AND INSTALLATION

- 1 Thread the eyebolt, lift and thread the rod
 hoisting
 P= 690 kg

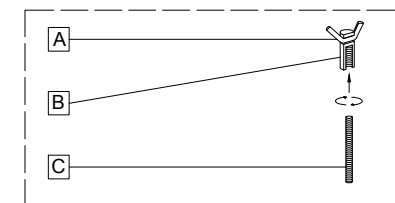


ANCHORAGE SYSTEM



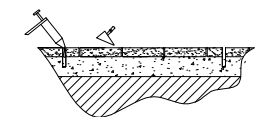
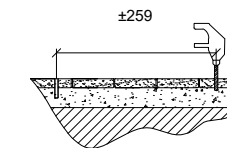
- A barra corrugada / corrugated rod
- B casquillo roscado / threaded sleeve
- D cáncamo / eyebolt

LIFTING SYSTEM

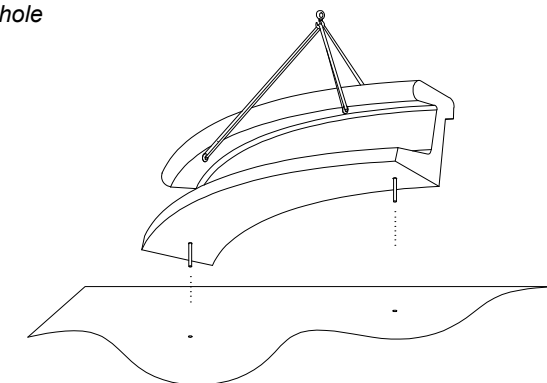


- A barra corrugada / corrugated rod
- B casquillo roscado / threaded sleeve
- C varilla roscada / threaded rod

- 2 Drill 2 holes each at a distance ±259 cm
- 3 pour epoxy resin



- 4 Insert metal rod in hole



www.landmarkstreetfurniture.com