

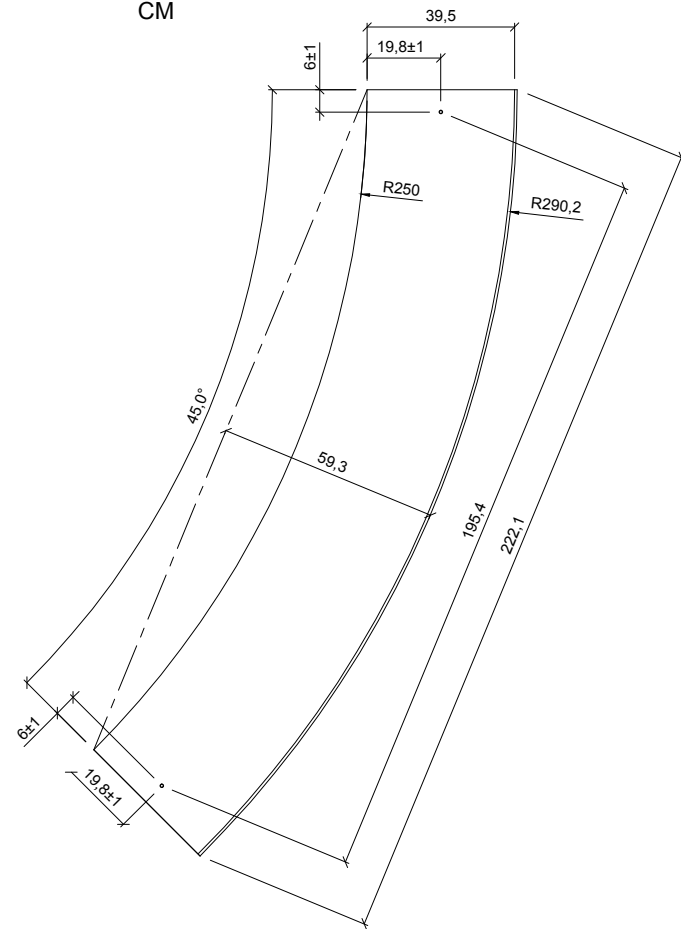
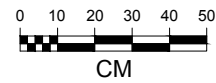
**FEATURES**

**Material** concrete petra 1  
**Finish** scaled and waterproofed  
**Dimensions** l. 222, w. 59.3, h. 49.6 cm  
**Colour** see colour catalogue  
**Fixing** resting on the ground or anchored with metal rod  
**Weight** 530 kg  
**Pallet** 230 x 60 x 65 cm  
**Weight pallet** 585 kg

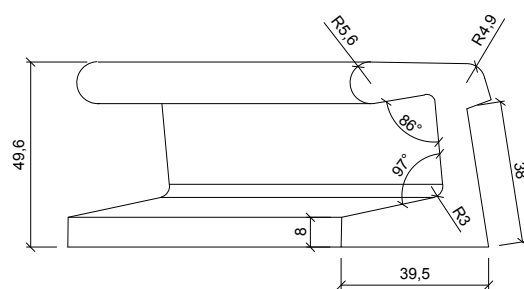


VINYES R250

**GEOMETRY**

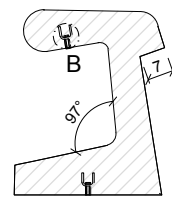


**BOTTOM VIEW**

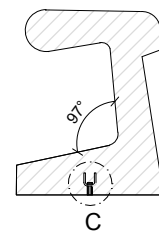


**FRONT VIEW**

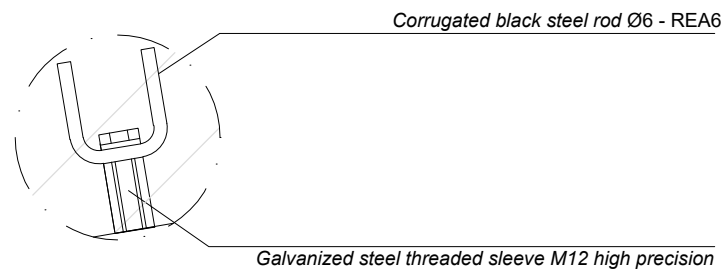
**SPECIFICATIONS**



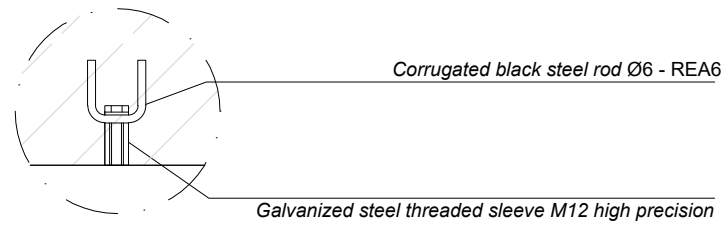
SECTION 1



SECTION 2



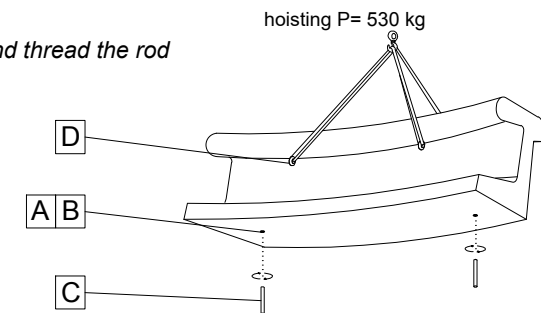
DETAIL B [HOISTING]



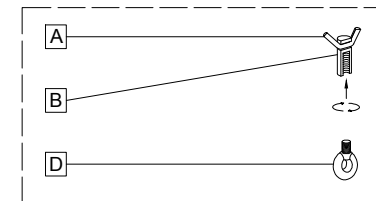
DETAIL C [ANCHORAGE]

**HANDLING AND INSTALLATION**

1 Thread the eyebolt, lift and thread the rod

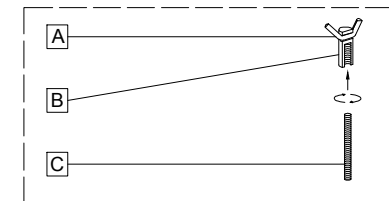


**ANCHORAGE SYSTEM**



- A corrugated rod
- B threaded sleeve
- D eyebolt

**LIFTING SYSTEM**

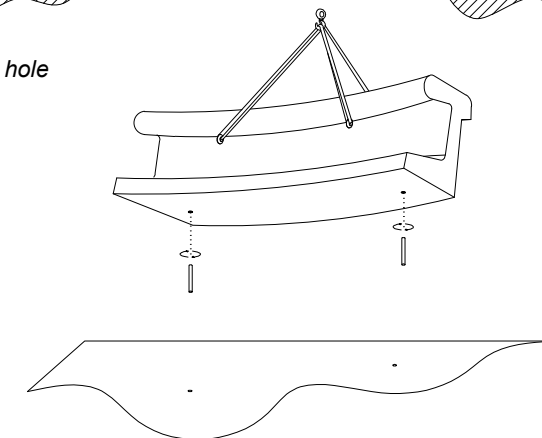


- A corrugated rod
- B threaded sleeve
- C threaded rod

2 Drill 2 holes each at a distance ± 195.4 cm 3 Pour epoxy resin



4 Insert metal rod in hole



www.landmarkstreetfurniture.com