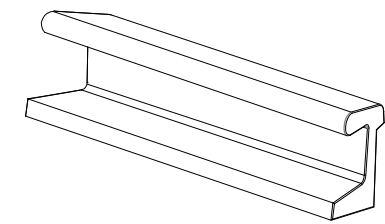


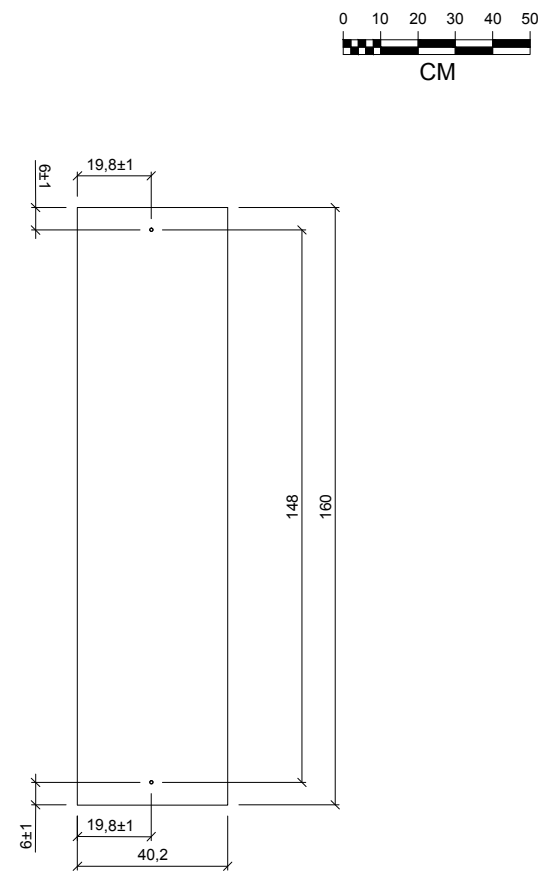
**FEATURES**

**Material** concrete petra 1  
**Finish** scaled and waterproofed  
**Dimensions** l. 160, w. 40.2, h. 49.6 cm  
**Colour** see colour catalogue  
**Fixing** resting on the ground or anchored with metal rod  
**Weight** 400 kg  
**Pallet** 200 x 80.4 x 65 cm  
**Weight pallet** 430 kg

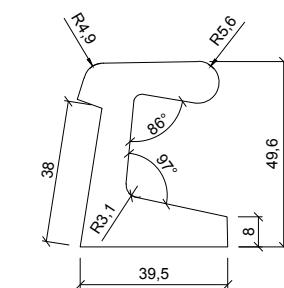


VINYES I160

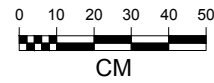
**GEOMETRY**



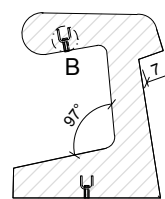
BOTTOM VIEW



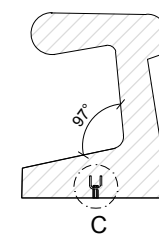
FRONT VIEW



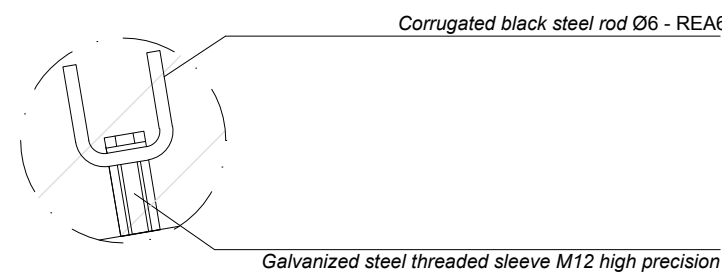
**SPECIFICATIONS**



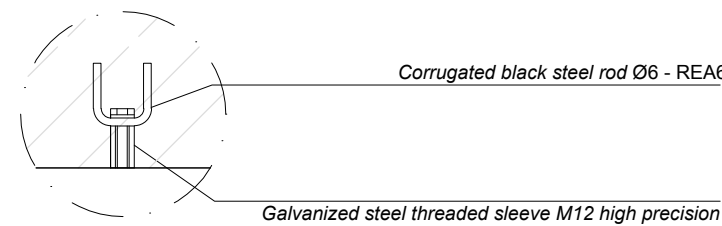
SECTION 1



SECTION 2



DETAIL B [HOISTING]

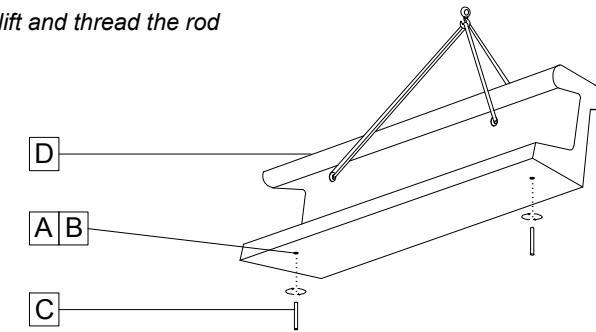


DETAIL C [ANCHORAGE]

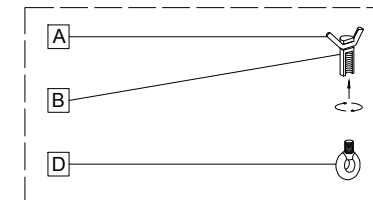
**HANDLING AND INSTALLATION**

1 Thread the eyebolt, lift and thread the rod

hoisting P= 400 kg

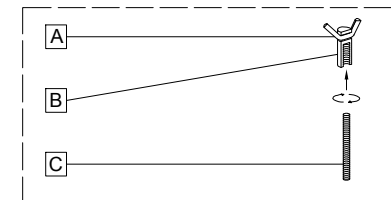


ANCHORAGE SYSTEM



- A corrugated rod
- B threaded sleeve
- D eyebolt

LIFTING SYSTEM

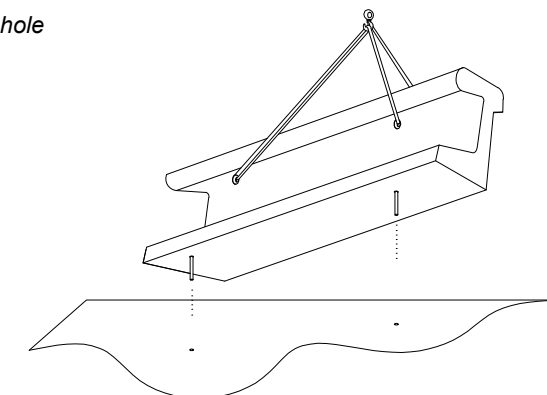


- A corrugated rod
- B threaded sleeve
- C threaded rod

2 Drill 2 holes each at a distance ± 147.6 cm 3 Pour epoxy resin



4 Insert metal rod in hole



www.landmarkstreetfurniture.com