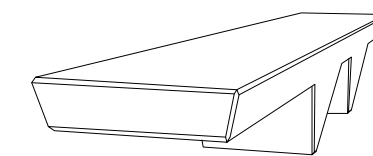


## FEATURES

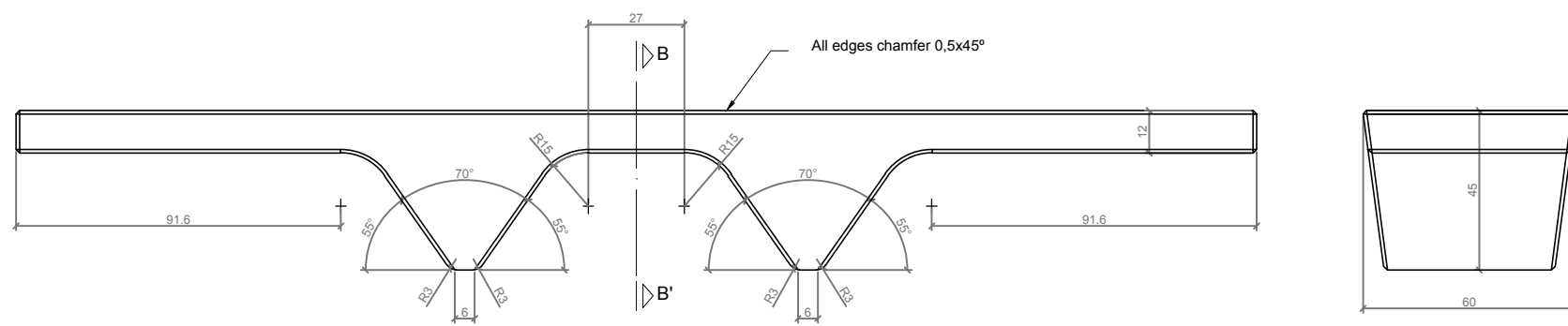
**Material** precast concrete Petra 1  
**Finish** scaled and waterproofed  
**Dimensions** l. 350, w. 60, h. 45 cm  
**Colour** see colour catalogue  
**Fixing** resting on the ground or with epoxy resin  
**Weight** 870 kg  
**Pallet** 360 x 70 cm


**Landmark**  
 STREET FURNITURE



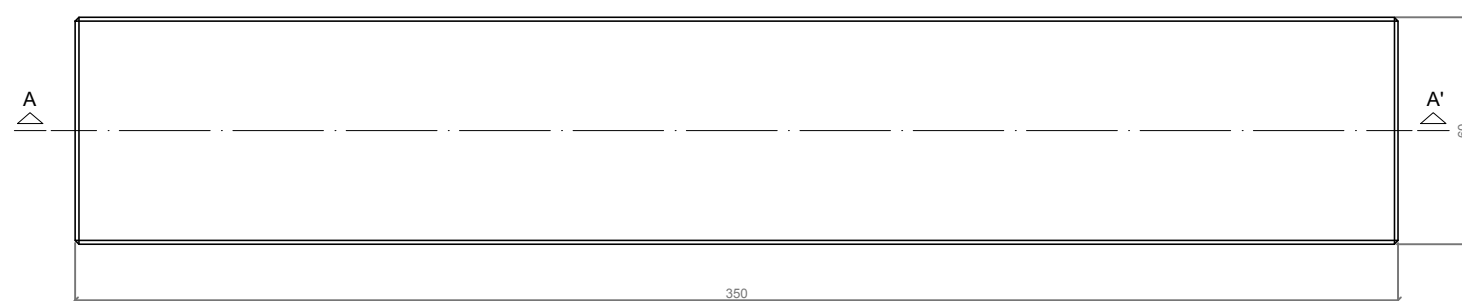
RIPPLE B-350

## GEOMETRY



FRONT VIEW

RIGHT SIDE



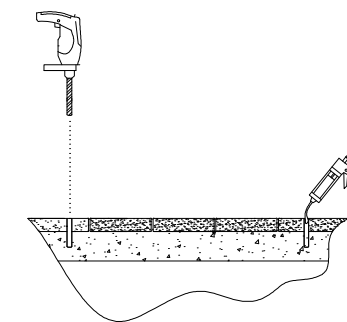
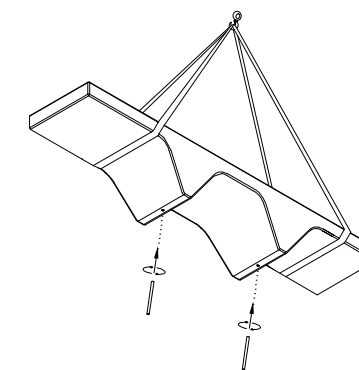
TOP VIEW

ESC. 1:20

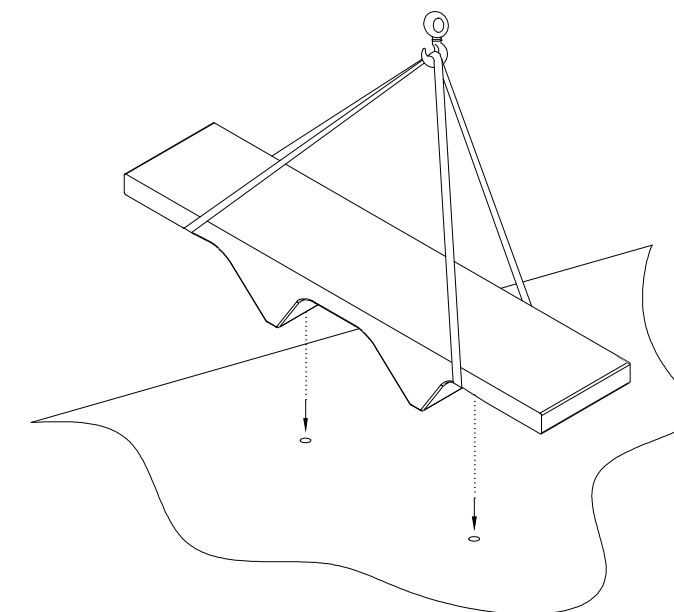
## HANDLING AND INSTALLATION

- 1 Lift and thread the rod
- 2 Drill hole and pour epoxy resin

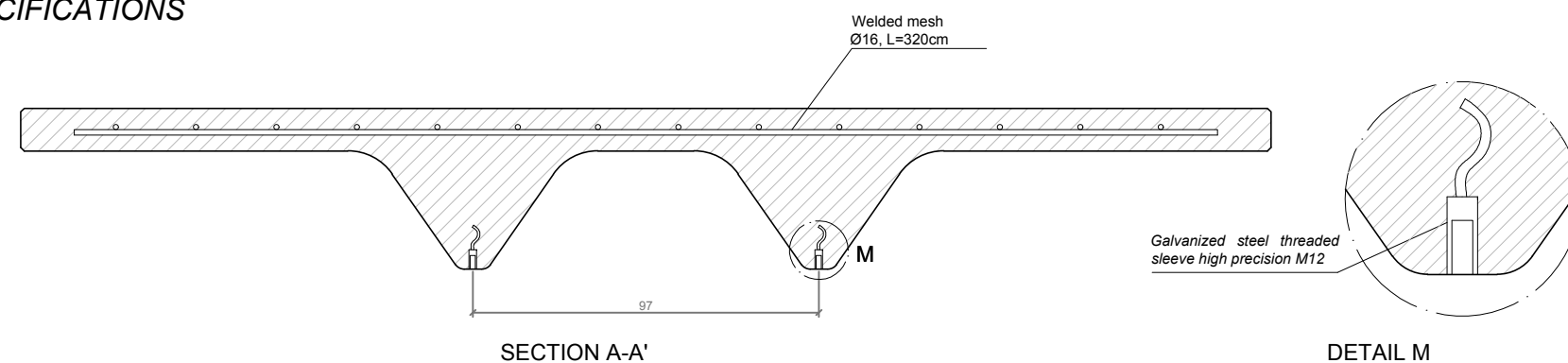
Hoisting P= 870 kg



- 3 Insert metal rod in hole to install



## SPECIFICATIONS



SECTION A-A'

DETAIL M

www.landmarkstreetfurniture.com