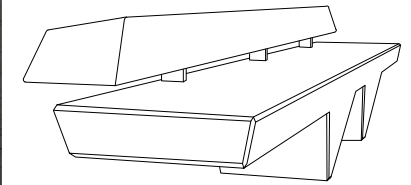


## FEATURES

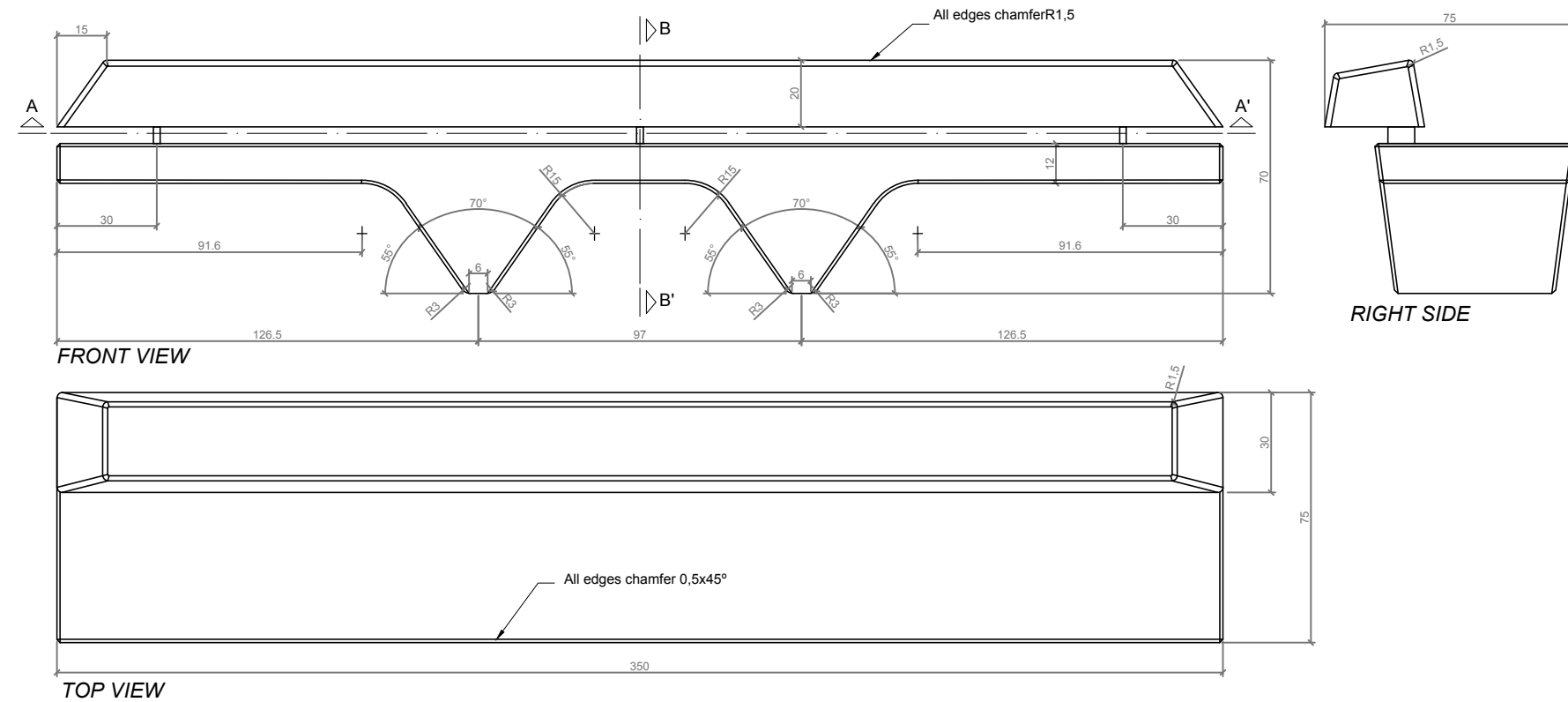
**Material** precast concrete Petra 1 + GRC wood imitation  
**Finish** scaled and waterproofed  
**Dimensions** l. 350, w. 75, h. 70 cm  
**Colour** see colour catalogue  
**Fixing** resting on the ground or with epoxy resin  
**Weight** 1,070 kg  
**Pallet** 360 x 90 cm


**Landmark**  
 STREET FURNITURE

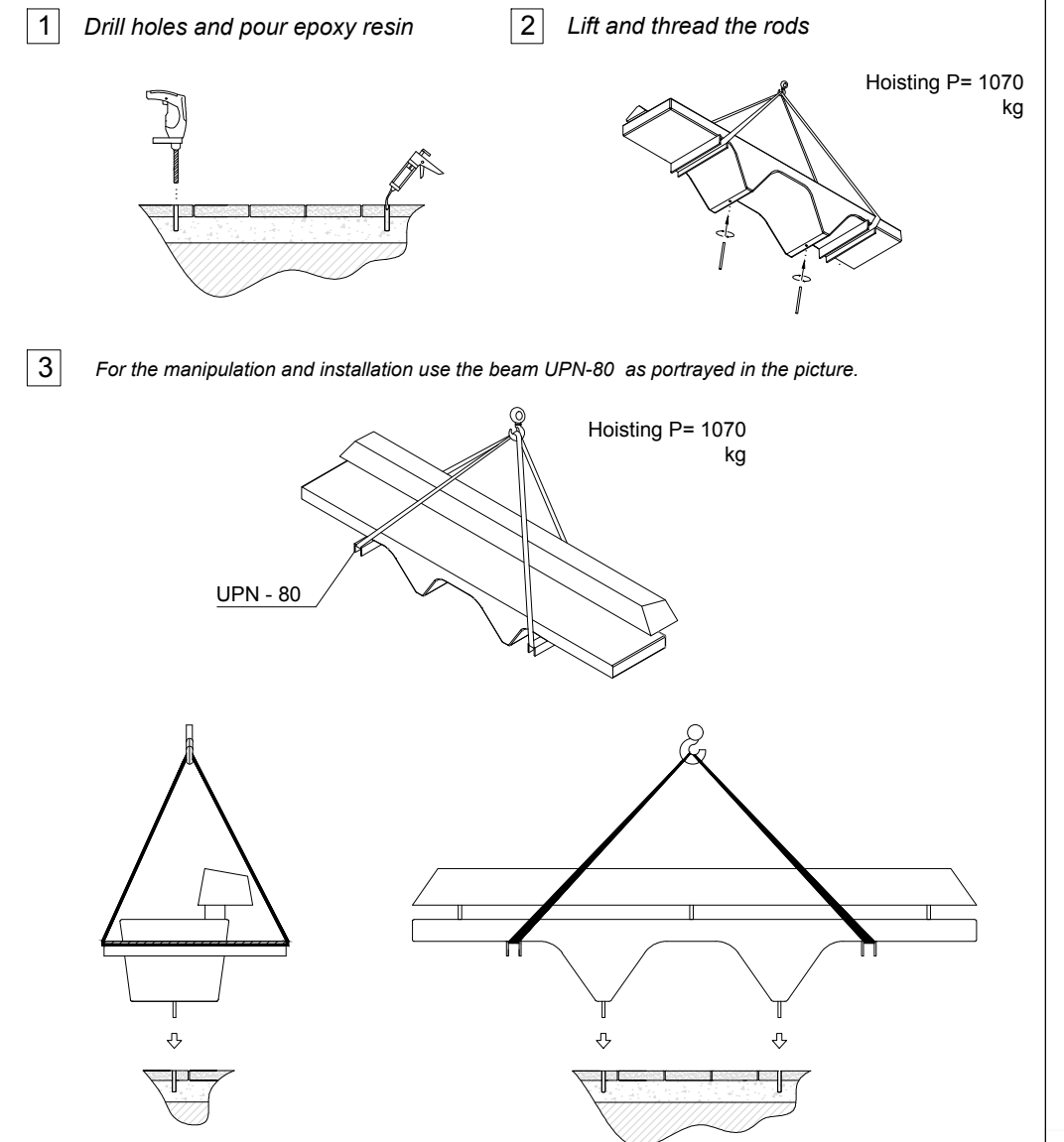


RIPPLE BR-350

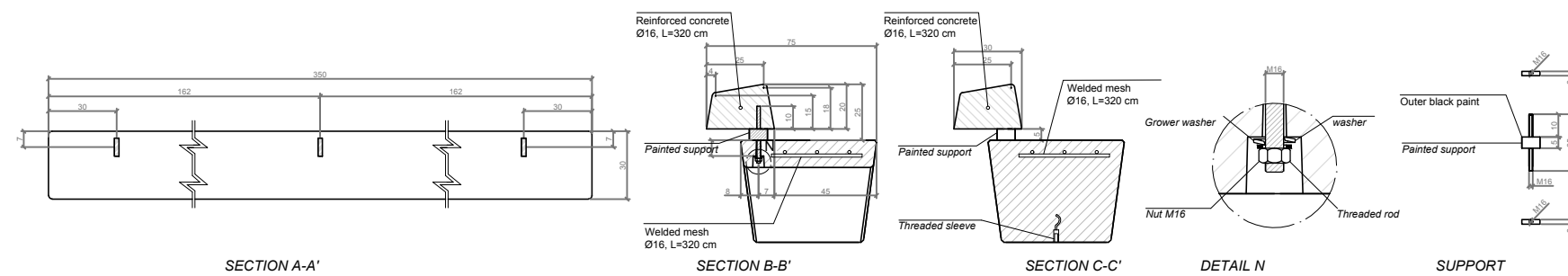
## GEOMETRY



## HANDLING AND INSTALLATION



## SPECIFICATIONS



www.landmarkstreetfurniture.com