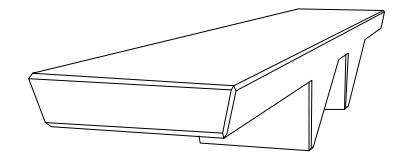


## FEATURES

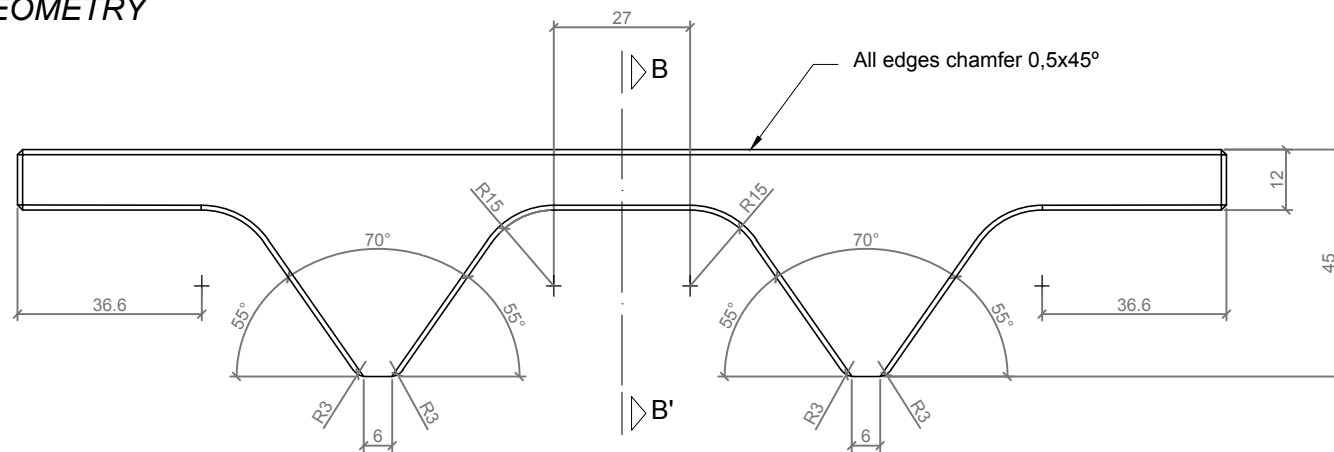
**Material** precast concrete Petra 1  
**Finish** scaled and waterproofed  
**Dimensions** l. 240, w. 60, h. 45 cm  
**Colour** see colour catalogue  
**Fixing** resting on the ground or with epoxy  
**Weight** resin 660 kg  
**Pallet** 250 x 70 cm


**Landmark**  
 STREET FURNITURE

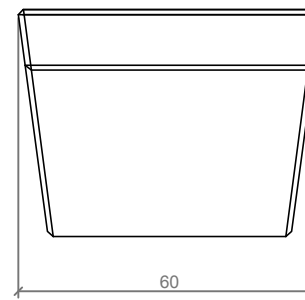


RIPPLE B-240

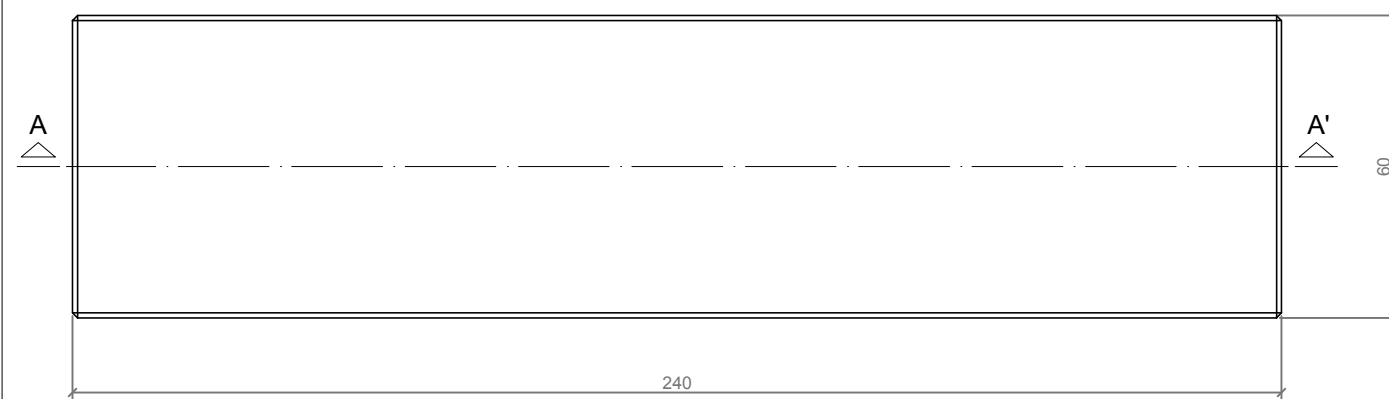
## GEOMETRY



FRONT VIEW



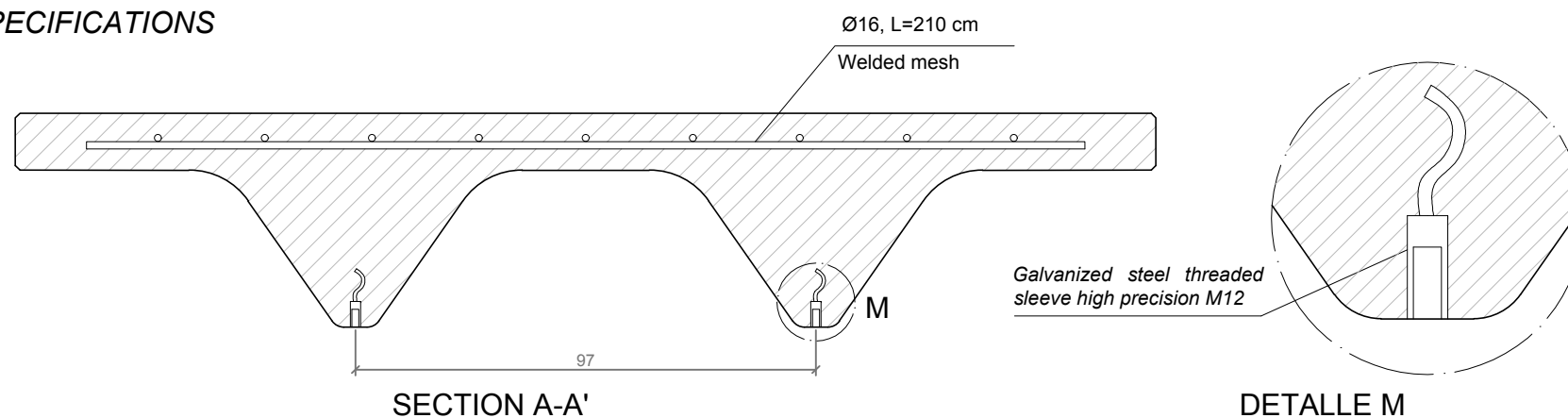
RIGHT SIDE



TOP VIEW

ESC. 1:15

## SPECIFICATIONS



SECTION A-A'

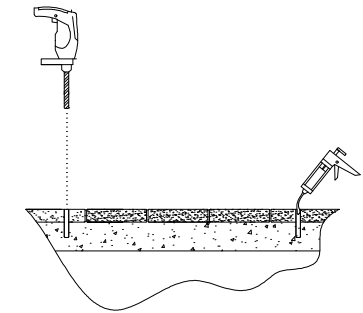
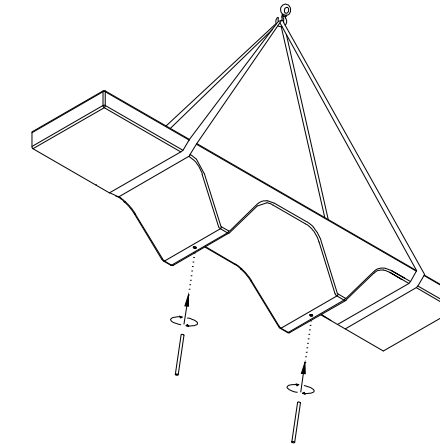
DETALLE M

## MANIPULACION E INSTALACION / HANDLING AND INSTALLATION

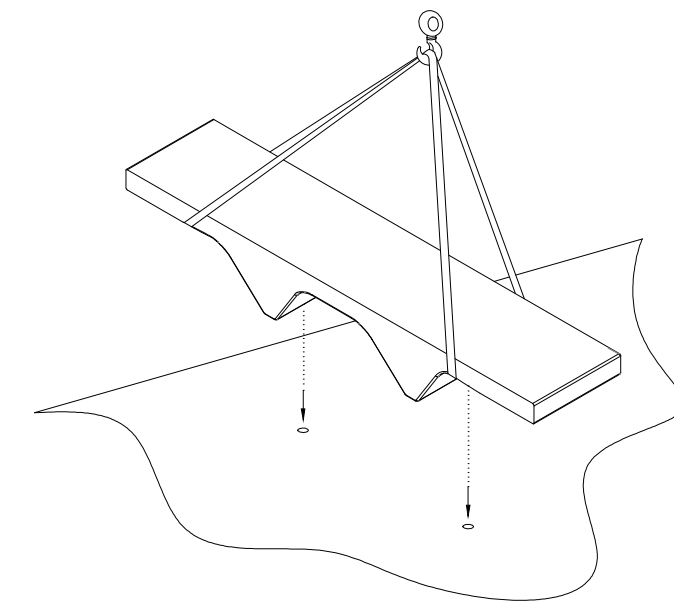
1 lift and thread the rod

2 Drill hole and pour epoxy resin

Hoisting P= 680 kg



3 Insert metal rod in hole to install



www.landmarkstreetfurniture.com