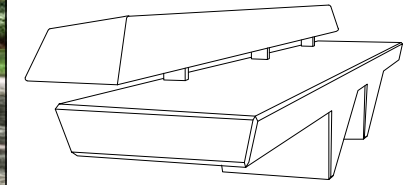


## FEATURES

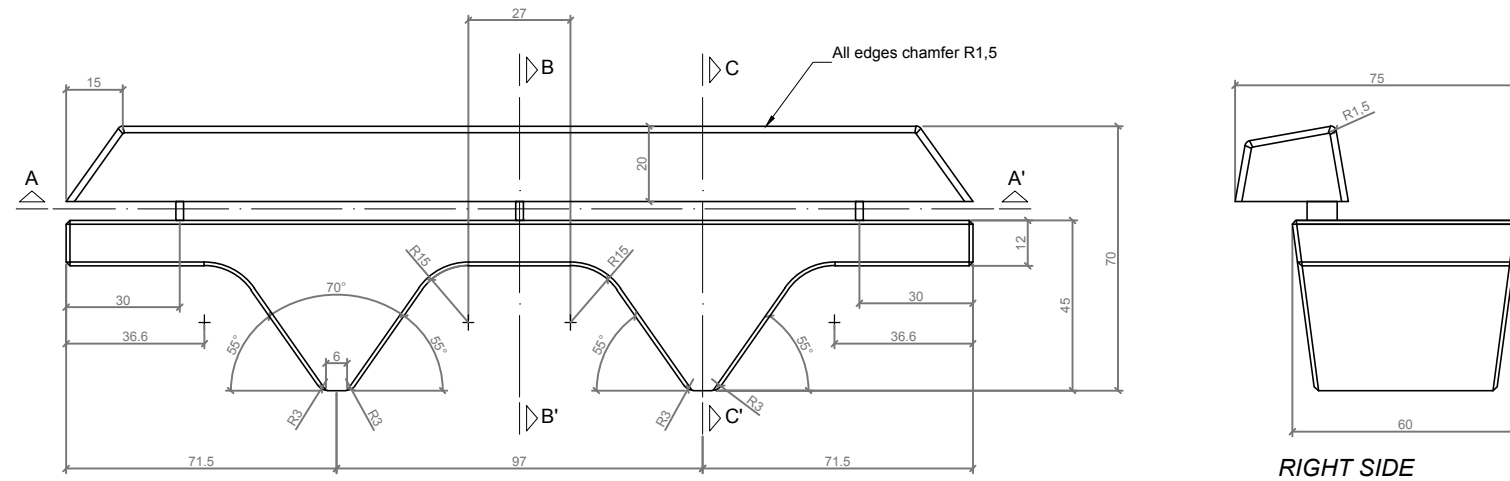
**Material** precast concrete Petra 1 + GRC wood imitation  
**Finish** scaled and waterproofed  
**Dimensions** l. 240, w. 75, h. 70 cm  
**Colour** see colour catalogue  
**Fixing** resting on the ground or with epoxy resin  
**Weight** 920 kg  
**Pallet** 250 x 85 cm

**Landmark**  
 STREET FURNITURE



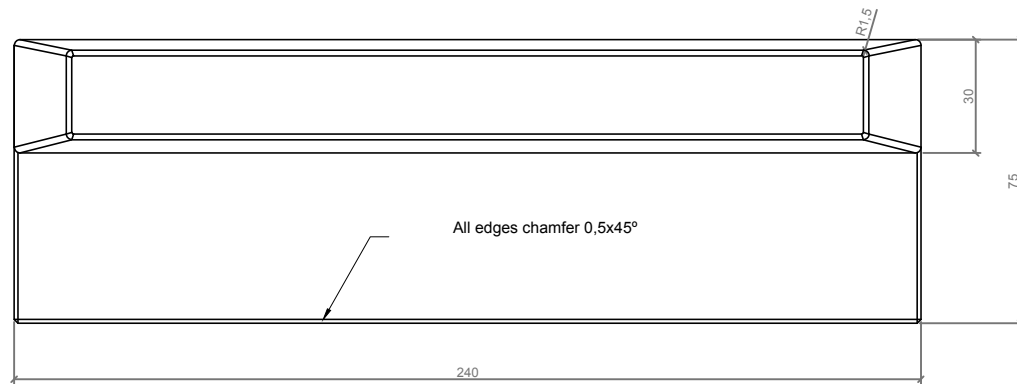
**RIPPLE BR-240**

## GEOMETRY



FRONT VIEW

RIGHT SIDE

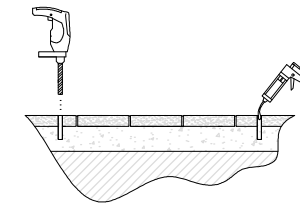


TOP VIEW

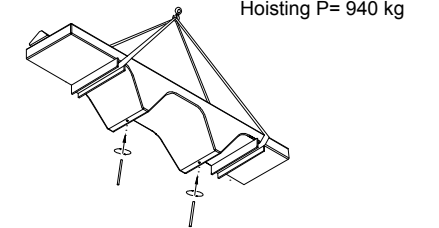
ESC. 1:20

## HANDLING AND INSTALLATION

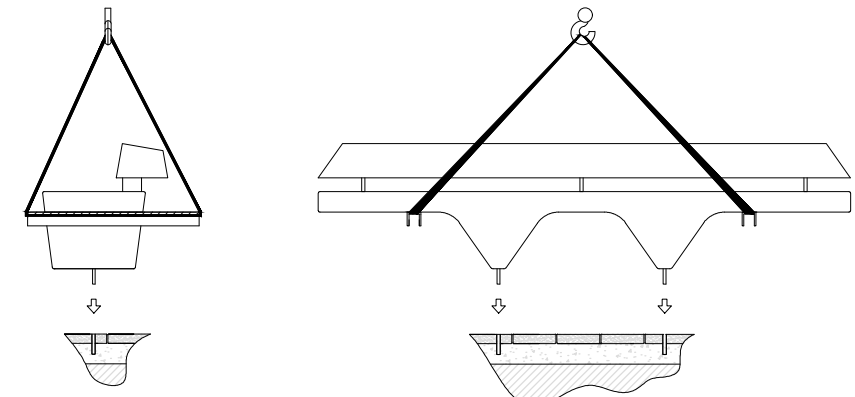
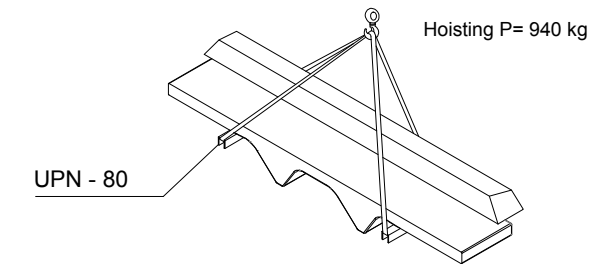
1 Drill holes and pour epoxy resin



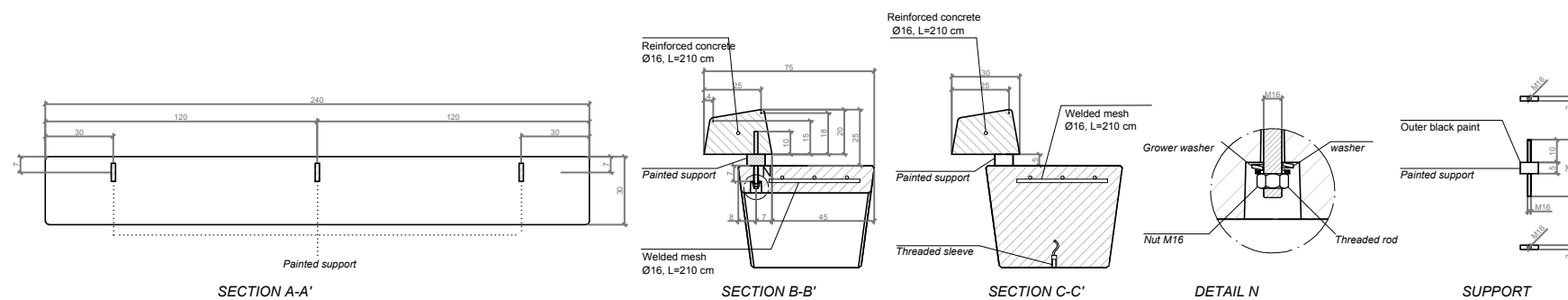
2 Lift and thread the rods



3 For the manipulation and installation use the beam UPN-80 as portrayed in the picture.



## SPECIFICATIONS



www.landmarkstreetfurniture.com