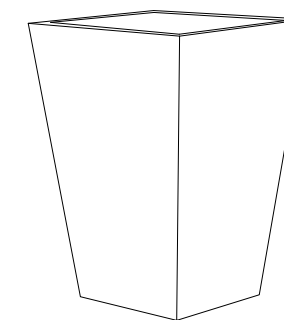


CARACTERISTICAS / FEATURES

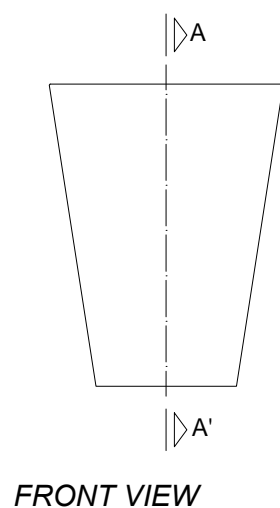
Material
Finish
Dimensions
Colour
Fixing
Weight

SMC
smooth
l. 50, w. 50, h. 64 cm
see colour catalogue
resting on the ground
32 kg / 96 L

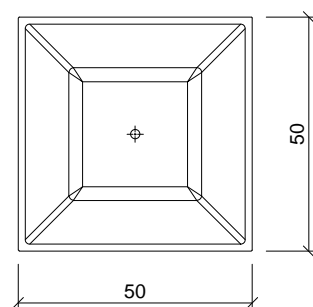


S-MALVA P150

GEOMETRY

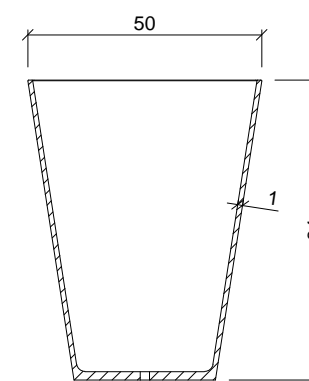


FRONT VIEW

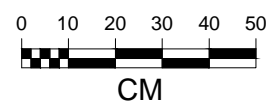


TOP VIEW

SPECIFICATIONS



SECTION A-A'



www.landmarkstreetfurniture.com