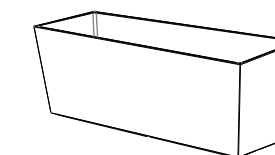


CARACTERISTICAS / FEATURES

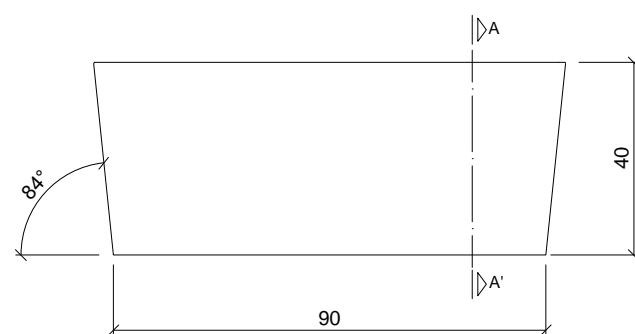
**Material** SMC  
**Finish** smooth  
**Dimensions** l. 98, w. 40, h. 40 cm  
**Colour** see colour catalogue  
**Fixing** resting on the ground  
**Weight** 35 kg / 121 L



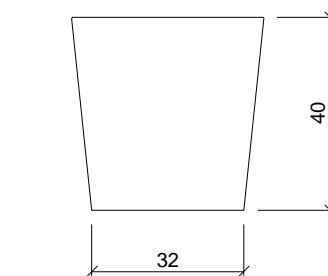
S-MALVA PI9840

GEOMETRY

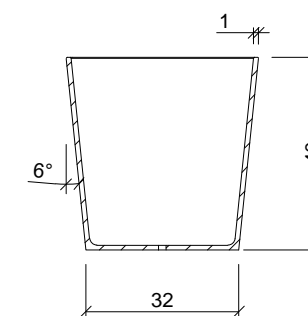
SPECIFICATIONS



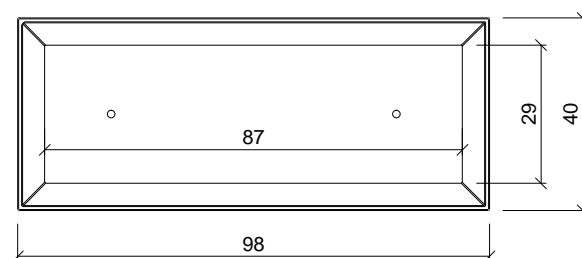
FRONT VIEW



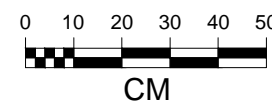
PROFIL VIEW



SECTION A-A'



TOP VIEW



www.landmarkstreetfurniture.com