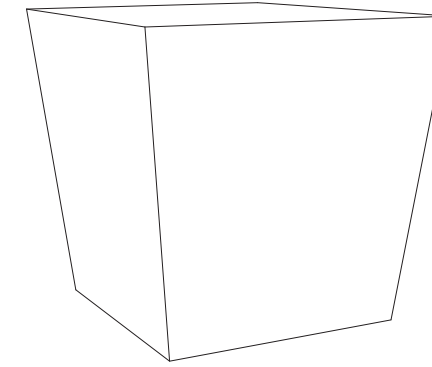


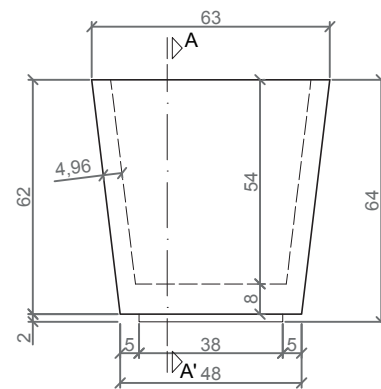
FEATURES

Material precast concrete Petra 1
Finish scaled and waterproofed
Dimensions l. 62.52, w. 62.52, h. 64 cm
Colour see colour catalogue
Fixing resting on the ground or with met
Weight 225 kg / 155 L
Pallet 70 x 70 cm

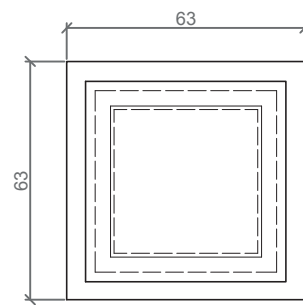


KONIQ JQ-60

GEOMETRY



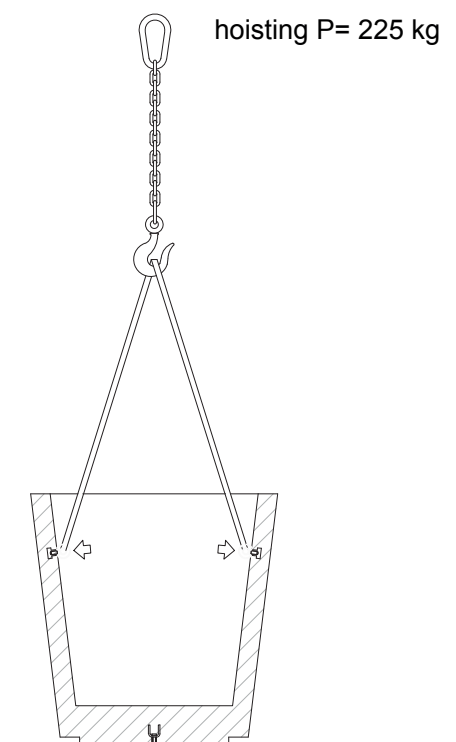
FRONT VIEW



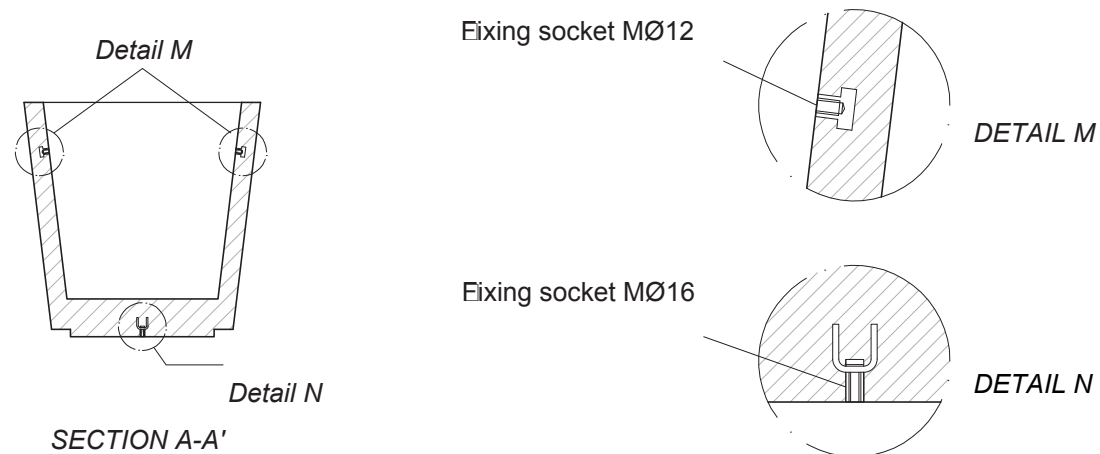
TOP VIEW

HANDLING AND INSTALLATION

Thread the eyebolt, fixing slings and install.



SPECIFICATIONS



0 1 2 3 4 5 6 7 8 9 A B C D E F G H I J K L M N O P Q R S T U V W X Y Z