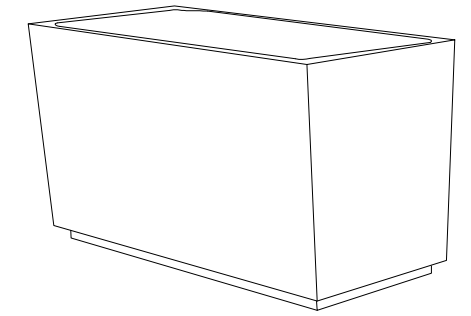


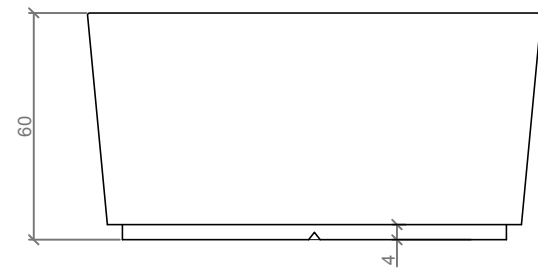
**FEATURES**

**Material** precast concrete Petra 1  
**Finish** scaled and waterproofed  
**Dimensions** l. 120, w. 60, h. 60 cm  
**Colour** see colour catalogue  
**Fixing** resting on the ground or with epoxy resin  
**Weight** 280 kg / 265 L  
**Pallet** 125 x 65 cm

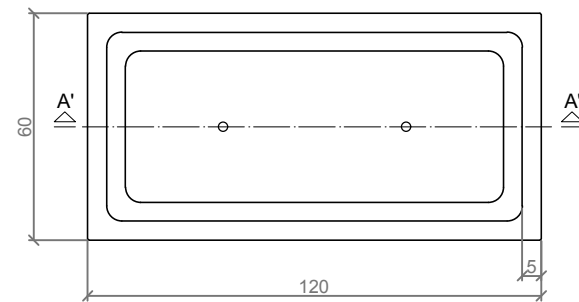


**KONIQ JR-120**

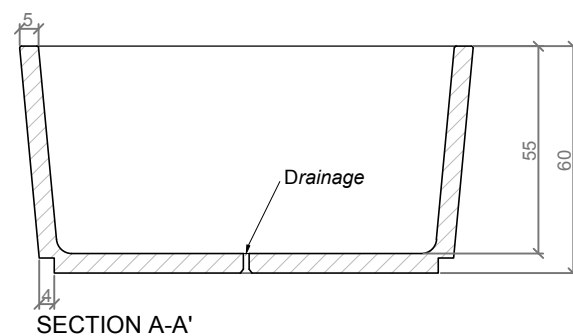
**GEOMETRY**



FRONT VIEW



BOTTOM VIEW

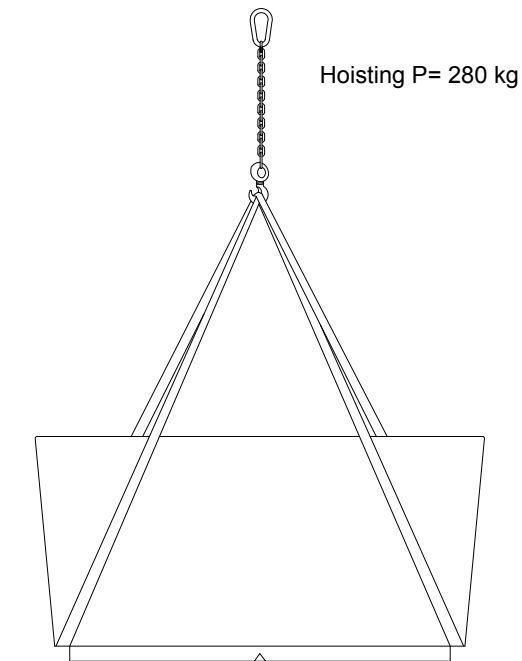


SECTION A-A'

Tube M12 - galvanized steel pipe high precision

**HANDLING AND INSTALLATION**

1 Raise with slings and install.



**SPECIFICATIONS**

www.landmarkstreetfurniture.com