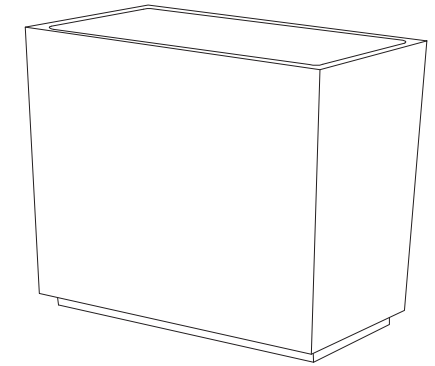
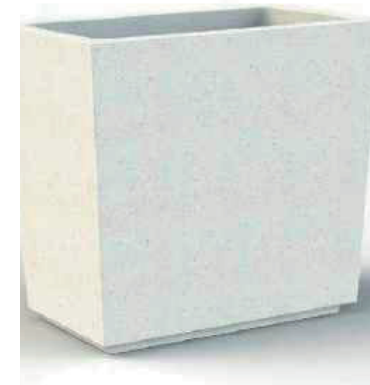


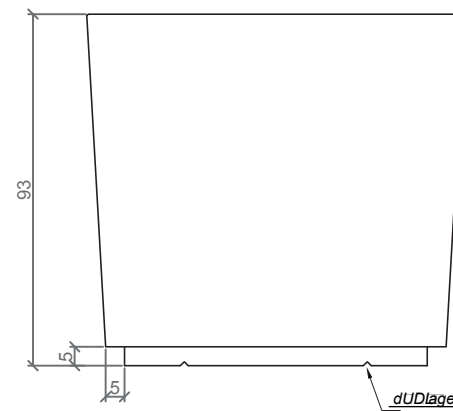
FEATURES

Material precast concrete Petra 1
Finish scaled and waterproofed
Dimensions l. 100, w. 60, h. 93 cm
Colour see colour catalogue
Fixing resting on the ground or with epo:
Weight 340 kg / 360 L
Pallet 110 x 65 cm

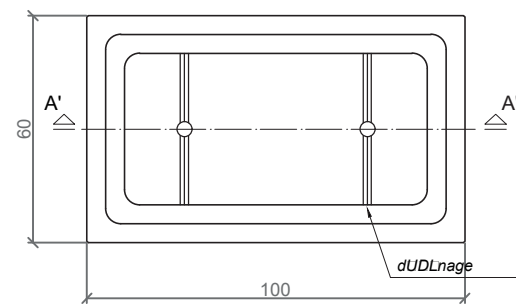


KONIQ JRA-100

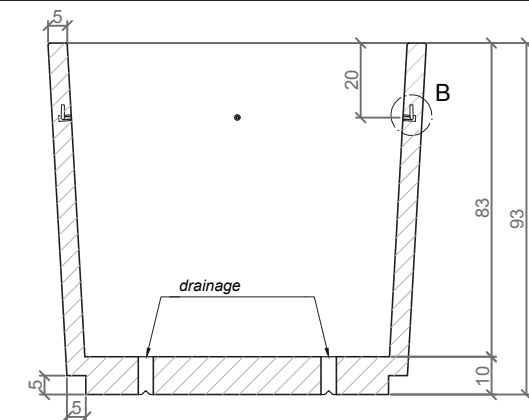
GEOMETRY



FRONT VIEW

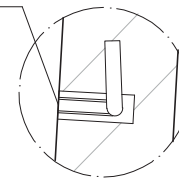


BOTTOM VIEW



SECTION A-A'

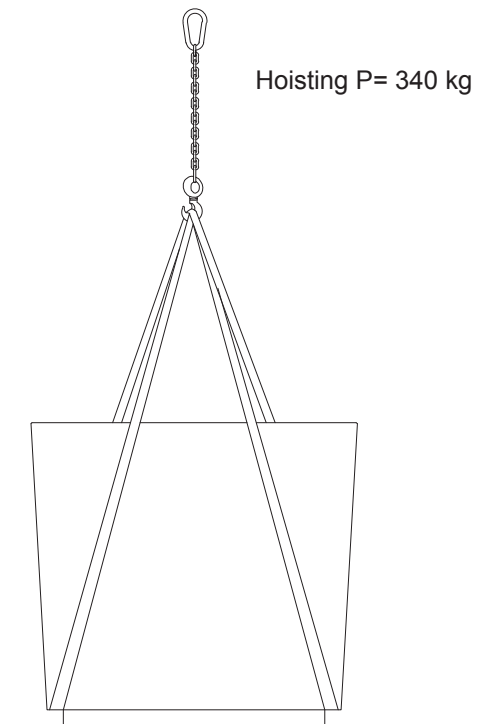
Tube M12
Galvanized steel pipe high precision



DETAIL B-B'

HANDLING AND INSTALLATION

- 1 Raise with slings and install.



SPECIFICATIONS

O D G P D U N V U H W I U L W U H F R P