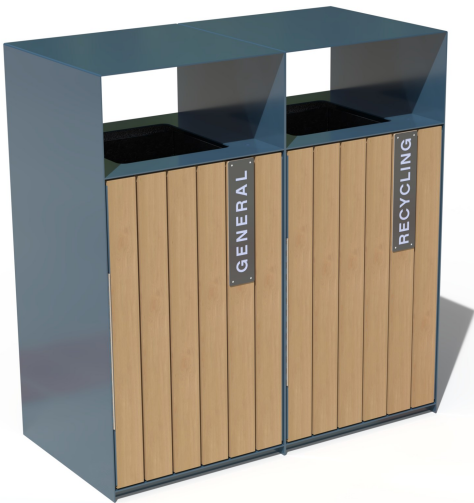
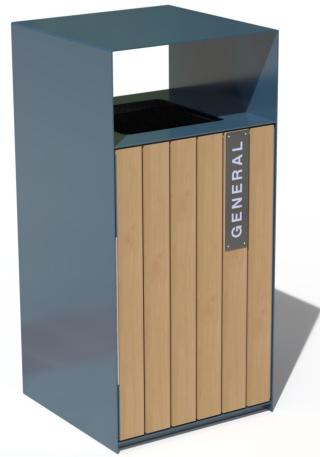


# Modulo Litter Bin Datasheet



## Modulo Litter Bin

The Modulo litter bin is a versatile litter collection point clad with FSC Certified Iroko hardwood slats. Internally it features a removable galvanised mild steel liner for easy collection. The surface-mounted Modulo has rounded wind guards surrounding the opening preventing litter from being thrown out of the container. The Modulo is available in multiple configurations for the purposes of recycling with a single, double or triple compartment option. Whole set with great versatility in outdoor spaces, which also works individually, and thanks to its wide range of finishes and colours, integrates at any park area, promenade and urban avenue.

**Materials** Iroko hardwood - other hardwoods are available / alternate full metal version

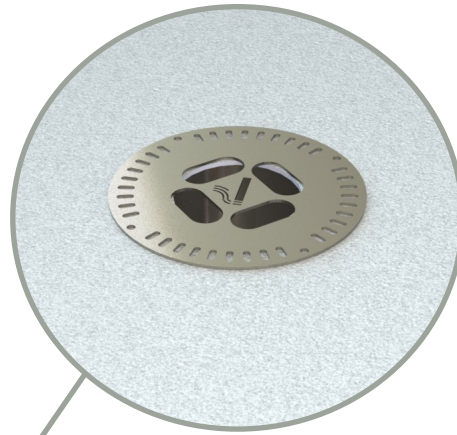


# Modulo Litter Bin

Options

## Optional Ashtray

A round ashtray can be fitted to the top of the unit in either gold or silver



## Artwork Options

Lettering can be applied to both the timber and full metal doors. This would include General, Recycling, Dog Waste etc.



# Modulo Litter Bin

## Modulo Litter Bin

Modulo Single Bin: L 480 x W 480 x H 1005  
Modulo Double Bin: L 957 x W 480 x H 1005  
Modulo Triple Bin: L 1440 x W 480 x H 1005

Framework Material:  
Manufactured from 3mm Zintec Steel

Timber:  
Wooden seat element of this product can be either Treated Softwood Thermowood, Iroko, Sapele or Accoya. With the option for these to be PEFC / FSC certified. All timber supplied planed all round with 4mm radius to all edges. A2 Stainless steel screws.

Installation:  
For the products installation, product is designed to be self weight surface mounted. There is an option to drill holes in the base for anchoring embedment bolts into concrete foundations laid by others. Insert 12mm threaded bolts into holes drilled into the concrete slabs and fill with epoxy resin or fast motor.

## Maintenance:

Metal - Rinse thoroughly once every six months with a salt free wash and wax solution and polish with a soft clean cloth.

The powder coated finish should be inspected every 6 months for damage. Any areas where the surface finish has been compromised or removed should be cleaned of debris, and re-covered using touch up paint. Colour matched touch up paint can be purchased from Landmark or a local paint supplier. (colour ref in above spec)

Timber - Manufactured entirely from carefully selected and graded hardwood / softwood. Sourced entirely from commercially managed, recognised and sustainable resources with a natural un-treated finish, to remove stains sand lightly with an appropriate grade sandpaper.

Check fixing connections every six months to ensure they are secure and tighten as required.

The wooden slats can be replaced if necessary.

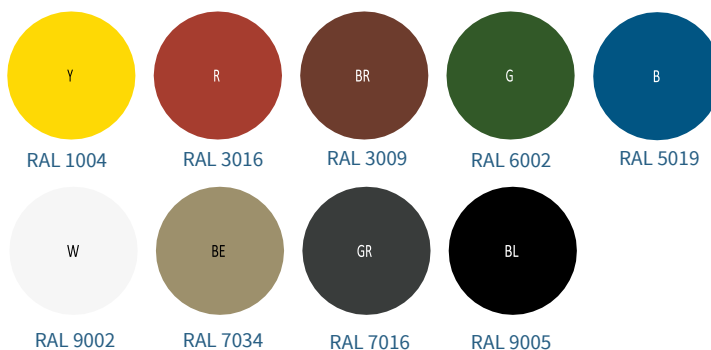
## Standard Timber



## Metal Framework

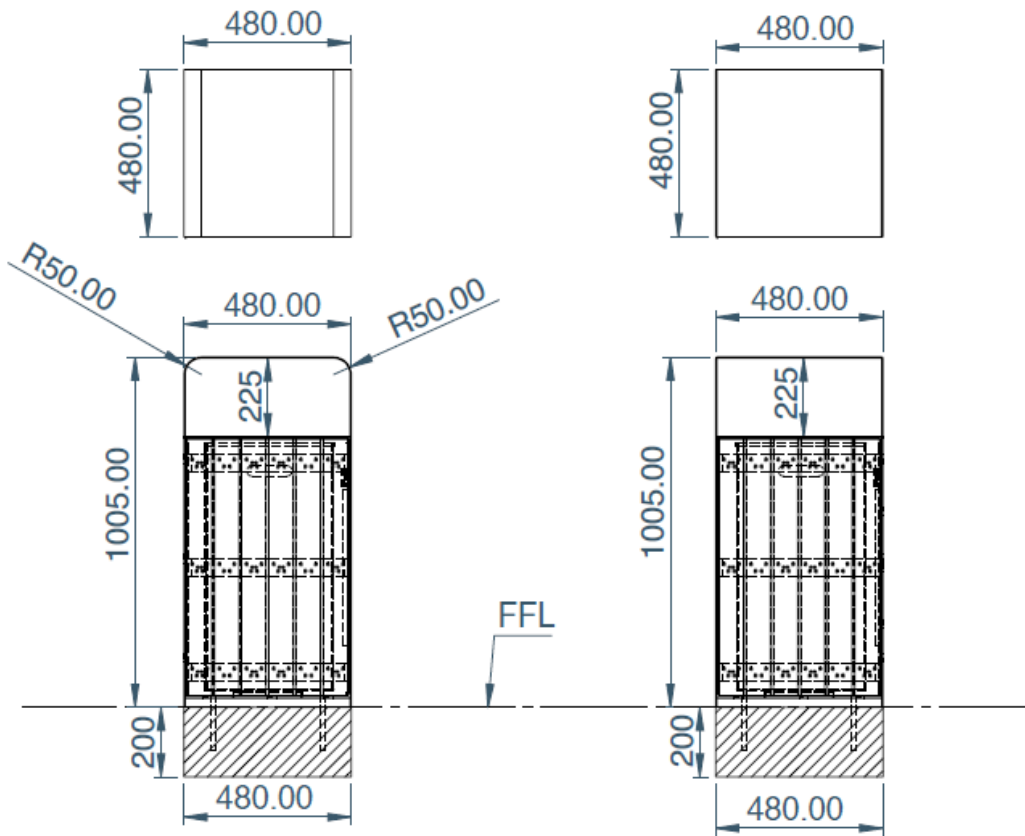


## Standard Colours



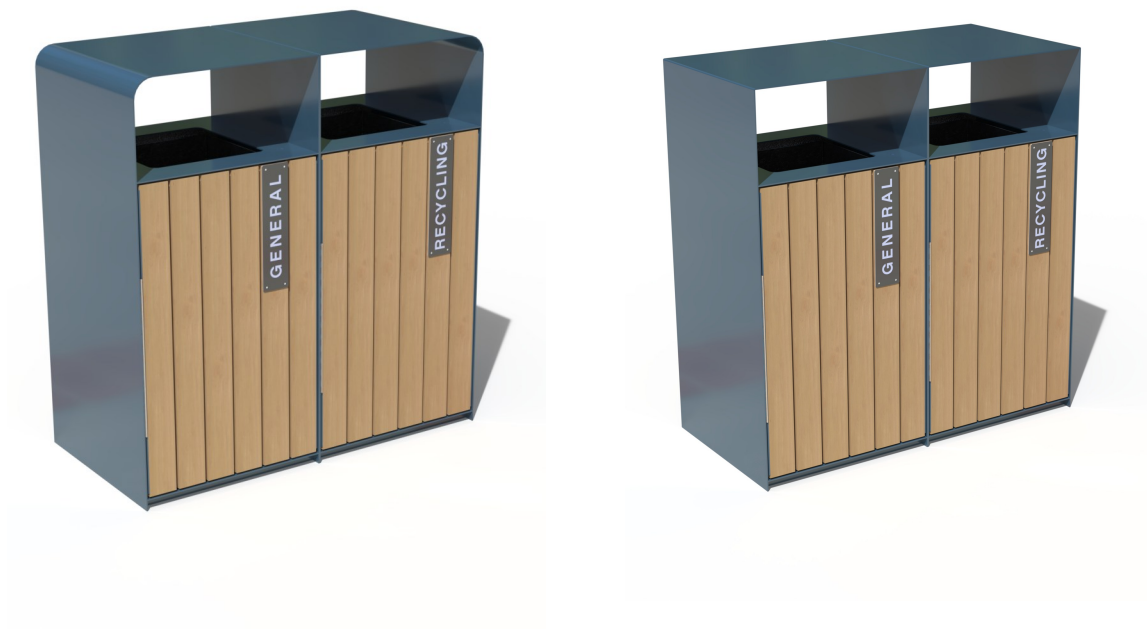
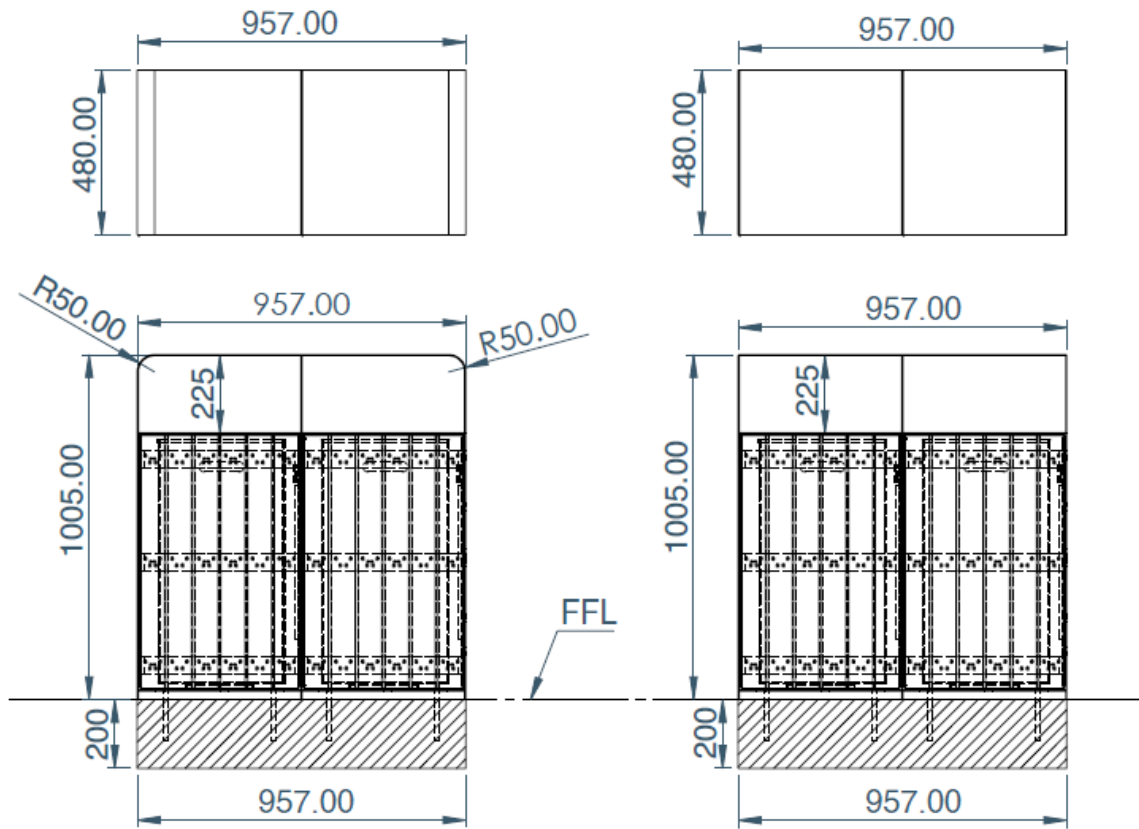
# Modulo Litter Bin

Modulo Single



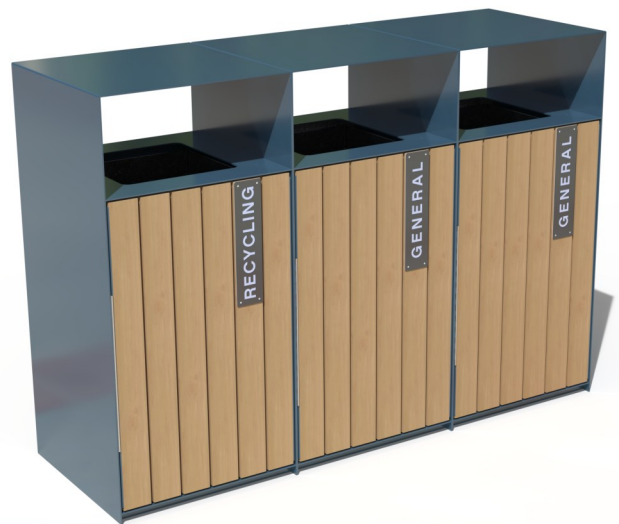
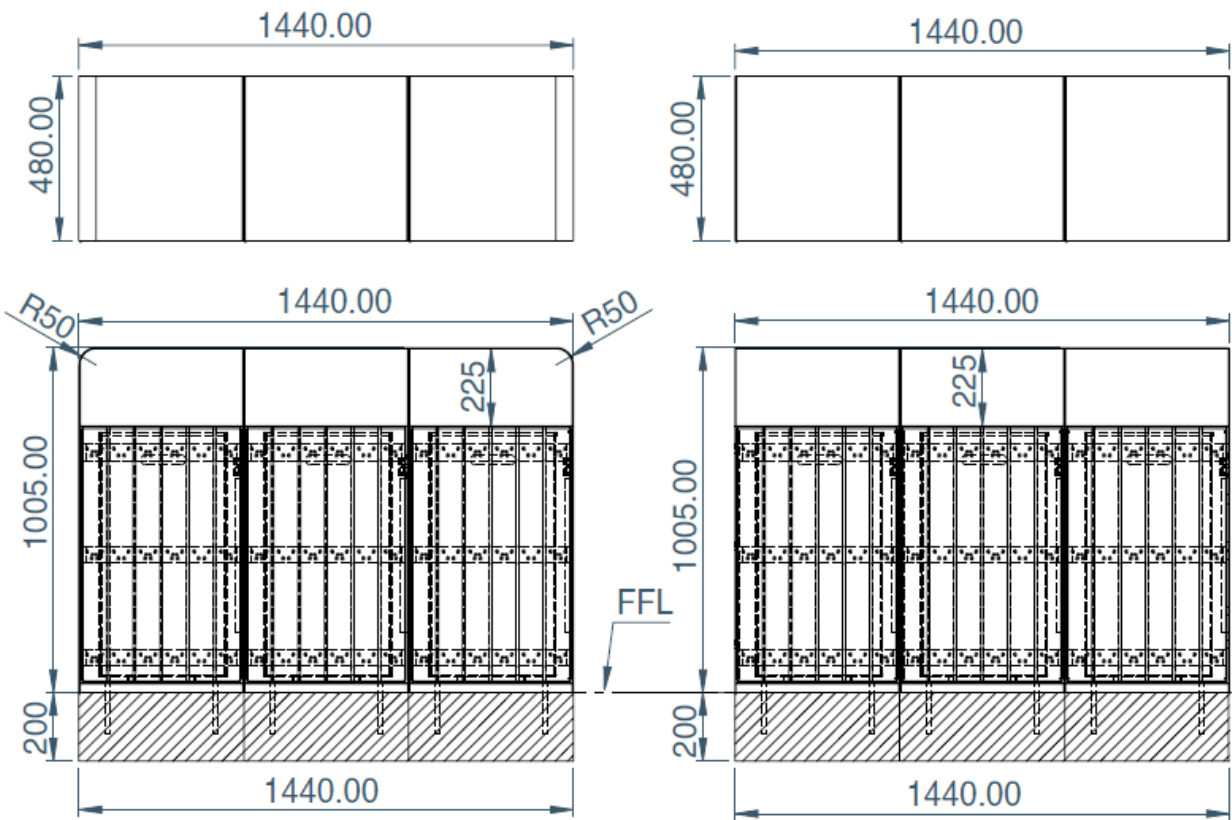
# Modulo Litter Bin

Modulo Double



# Modulo Litter Bin

Modulo Triple





**Modulo Litter Bin**

 **Landmark**  
STREET FURNITURE

[www.landmarkstreetfurniture.com](http://www.landmarkstreetfurniture.com)